

EKHO Portable Work Bench Specifications



- **Weight** - 96.4 lbs. (100 lbs. in shipping box)
- **Dimensions:** - 49" long x 24" wide x 30.75" tall
- **Shipping Box Dims.** - 49.5" x 24.5" x 4"
- **Material:** - MDF, unpainted*, unassembled
- **Fasteners required:** - None, quick secure self-locking design
- **Tools required** - None due to self locking assembly.
- **Bonus Uses:**
 - Removable lower shelf can double as a furniture dolly** for heavy loads.
- **Uses:**
 - Workbench, BBQ side table, camping,
 - patio bar, BBQ stand, hobbies,
 - gift wrapping, tail gate parties
 - dog grooming, plant stand
 - potting table, children's play table
- **Storage:** - Stores away quickly in a 4" space.
- **Supports:** - up to 500+ lb. loads
- **Only \$139.99 CDN**



* Customer can paint any color(s) for weather protection.

** Customer supplied optional casters required.



6302 Emerald Links Drive
 Ottawa, Ontario, Canada K4P 1M4
 Tel. (613) 822-6935 www.mobileworkshop.ca
 Fax. (866) 429-4008 sales@ekho.com



Great patio bar table with optional middle shelf for storage. Very sturdy, fun, and convenient!

EKHO Portable Work Bench Works!



Many Exciting Potential Uses for your every day needs:

- **Work Bench** for workshops and general home use.
- **Potting table** to plant your favorite new house plants!
- **Plant stand** to show off your favorite flowers and herbs!
- **Dog grooming** to pamper your favorite 4 legged friend!
- **Patio Bar** to keep your thirsty friends happy & quenched!
- **BBQ Stand** for delicious steaks on that new [portable unit!](#)
- **BBQ side table** for the chef and his loyal hungry patrons!
- **Hobby bench** - stained glass, leather, modelling, sculpting.
- **Children's crafts** in their favorite room for your budding artist!
- **Camping** - support that new [portable BBQ](#) or cooler in style!
- **Tail Gate Parties** - Food and Drinks need someplace!
- **Printer Table**, accessories and supplies, 2nd printer.
- **Office Accessories** - photocopiers, faxes, punches.
- **Office tasks** - collating, stapling, trimming, envelope stuffing.
- **Construction sites** - chop saws, hand work, drawing table.
- **Sewing work table** - for all those great halloween costumes!
- Only \$139.99 CDN

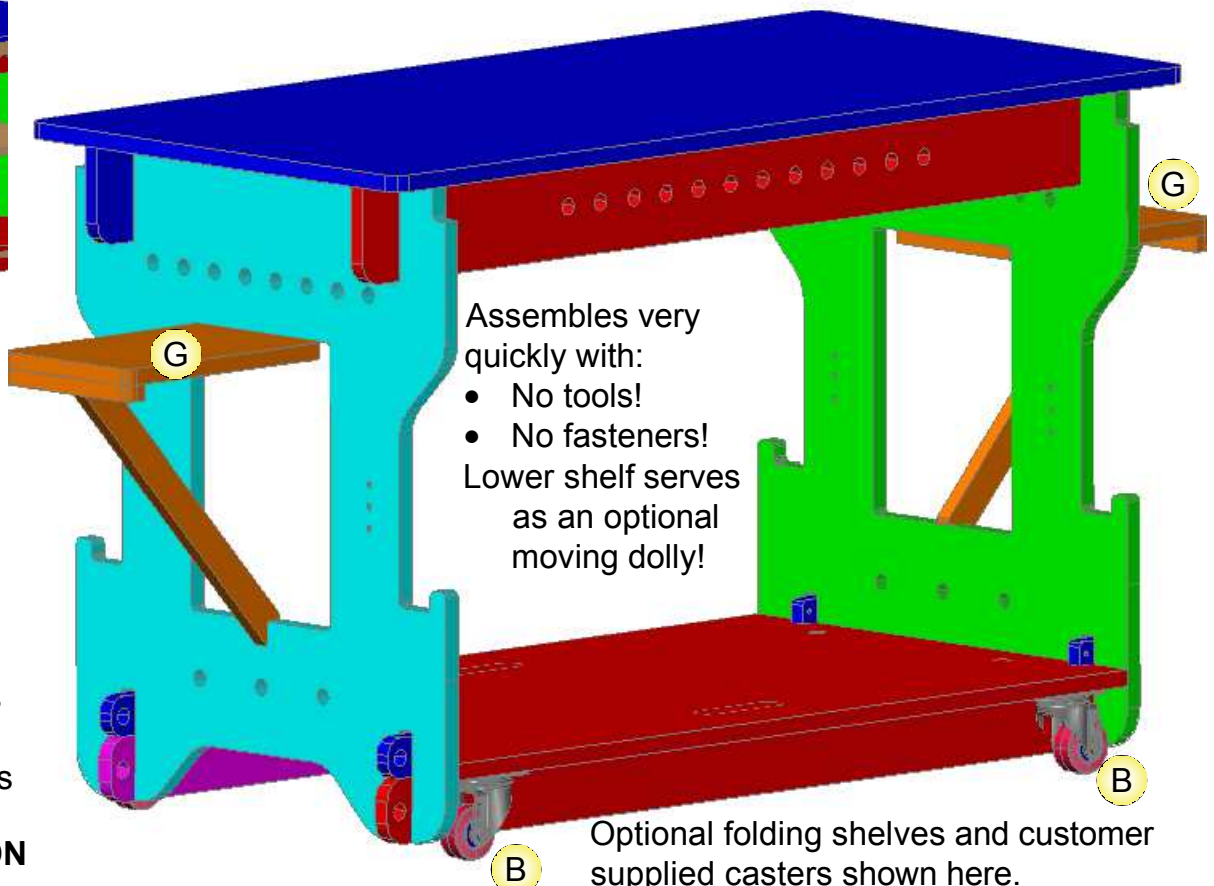
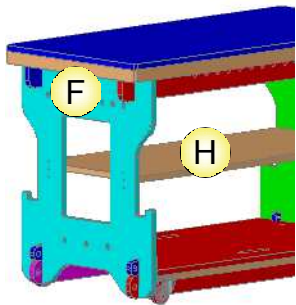


EKHO JigSaw
Puzzle
Furniture

6302 Emerald Links Drive
Ottawa, Ontario, Canada K4P 1M4
Tel. (613) 822-6935 www.mobileworkshop.ca
Fax. (866) 429-4008 sales@ekho.com

EKHO Portable Work Bench Feature List

1. Assembles and disassembles very quickly with no fasteners or tools.
2. Use at home, workshop or office where there is limited space and time.
3. Fits easily into the trunk of an average sized car to take to other work sites.
4. Lower shelf doubles as a great furniture dolly when needed.
5. Convenient pre-drilled tool hanging holes.
6. Storage of disassembled unit fits in about 3" to 4" of width without the casters.
7. Manufactured accurately with very precise modern technology.
8. Very strong for endless common workshop & household chores!
9. Mobile with optional casters. Very sturdy with casters up when wedges inserted under shelf.
10. Very affordable temporary table for every household's daily use. Store away when finished.
11. Uses only one full sheet of easy to paint MDF material.
12. Minimal waste material during manufacturing.
13. Optional folding shelves for tools, pots, projects, paint cans, paint brushes and iPods! :-)
14. **Very easy to customize** quickly for your exact needs with common tools. Some suggestions:
 - 14.A. Add tool or utensil hanging hooks with a small drilled hole.
 - 14.B. Add mobility casters with a screwdriver to create a very handy optional moving dolly.
 - 14.C. Paint in your favorite colors. Use patriotic themes, team themes, company colors, etc.
 - 14.D. Invite your children to paint with their own ideas or add cartoon decals to suit their tastes.
 - 14.E. Add stripes, decals or logos for special occasions, children, parties, companies, etc.
 - 14.F. Add decorative, reinforcing wooden skirts easily to the table top or the bottom shelf.
 - 14.G. Install the 2 optional folding shelves with our pre-cut parts and your own supplied brace.
 - 14.H. Add a mid level shelf for extra storage. Ask the lumber store to cut (18"x41.5") for free.
 - 14.I. Add bench dog holes to the top with a 3/4" Forstner drill bit.



Potential Uses:

- Work Bench
- BBQ Stand
- BBQ side table
- Potting Table
- Plant Stand
- Hobby bench
- Dog Grooming
- Patio Bar
- Children's crafts
- Camping
- Tail Gate Parties

Assembles very quickly with:

- No tools!
- No fasteners!

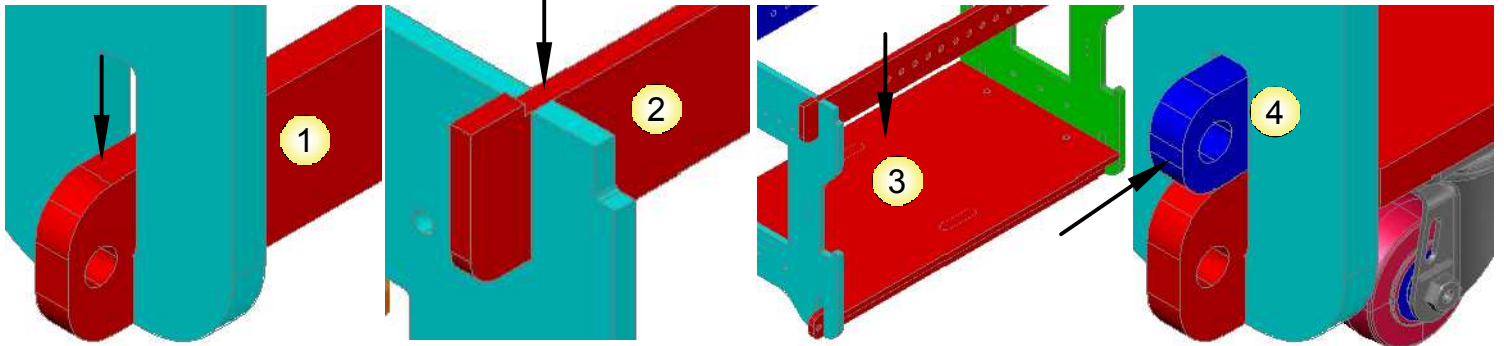
Lower shelf serves as an optional moving dolly!

Optional folding shelves and customer supplied casters shown here.

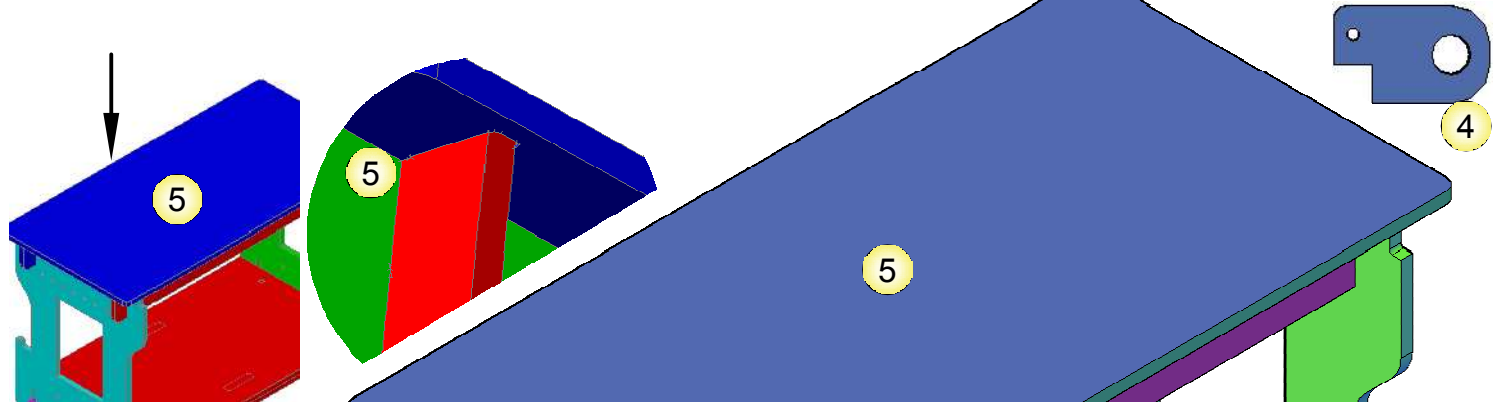
Only \$139.99 CDN

Assembly Instructions

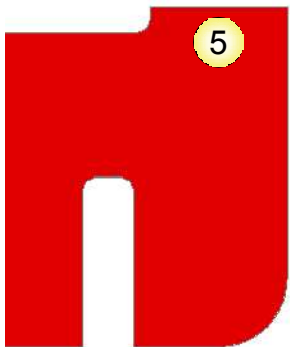
1. Place the 2 lower shelf cross supports into the lower sockets in the 2 vertical leg parts.
2. Place the 2 top cross supports into the upper sockets of the 2 vertical leg parts.
3. Lower the bottom shelf/dolly onto the 2 lower cross supports.
4. Insert the 4 wedges into the 4 slots above the 2 cross members to hold the lower shelf in place. Wedges can be inserted under the shelf to raise the 4 optional casters off the floor.
5. Place the table top onto the top cross supports while making sure that the 4 vertical tabs insert fully into the 4 small pockets on the bottom side of the table top.



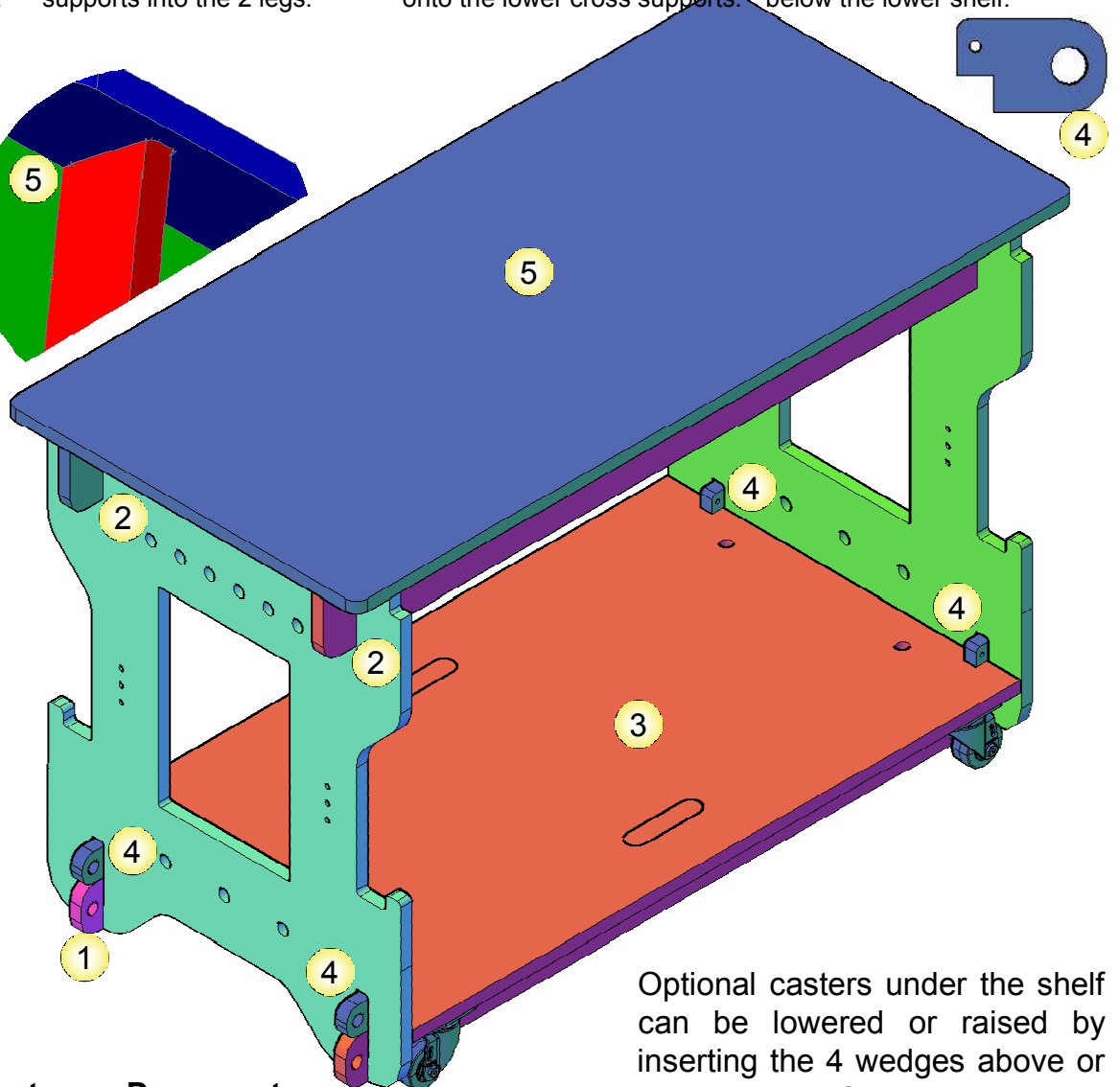
1. Place lower Shelf Supports into the lower slots of 2 legs. 2. Place the 2 upper cross supports into the 2 legs. 3. Lower the bottom shelf onto the lower cross supports. 4. Wedges can go above or below the lower shelf.



5. Position the 4 table top pockets onto the 2 top cross supports' 4 tabs.



Vertical tabs on cross supports fit into pockets on the bench top.

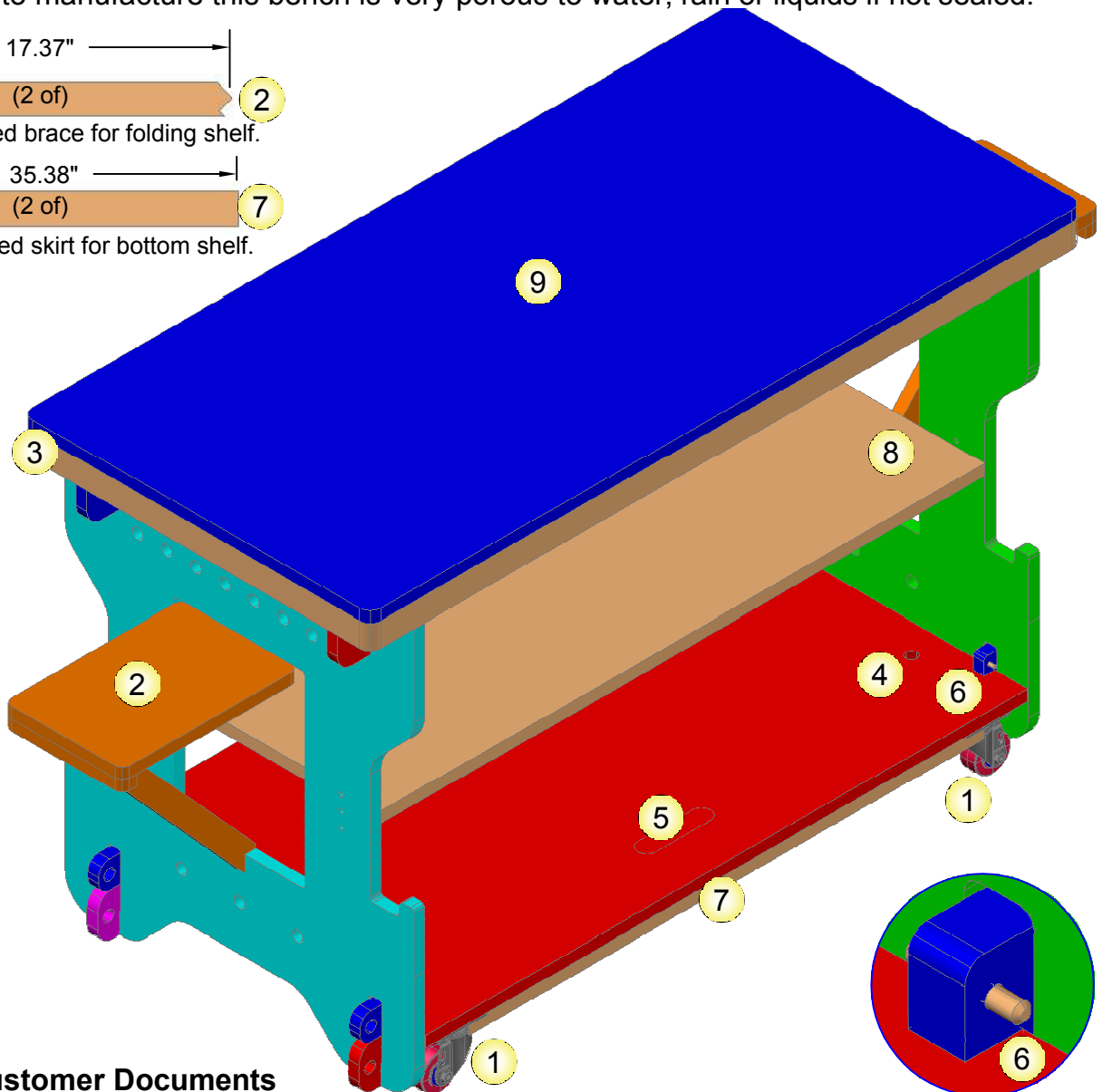
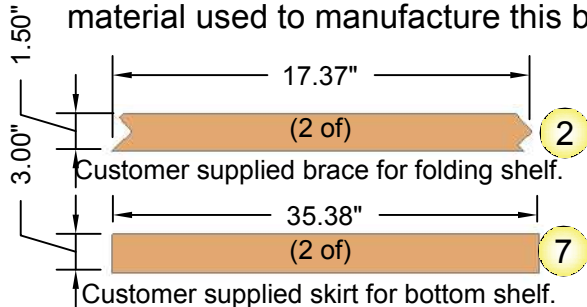


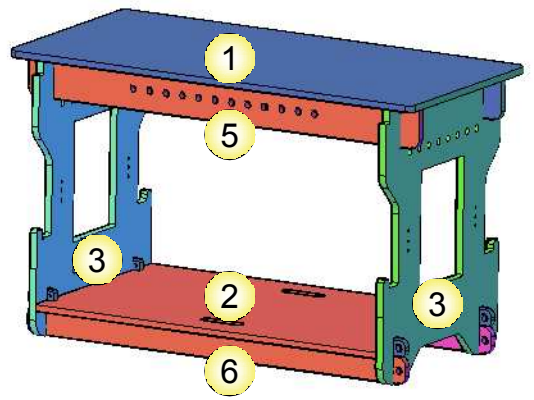
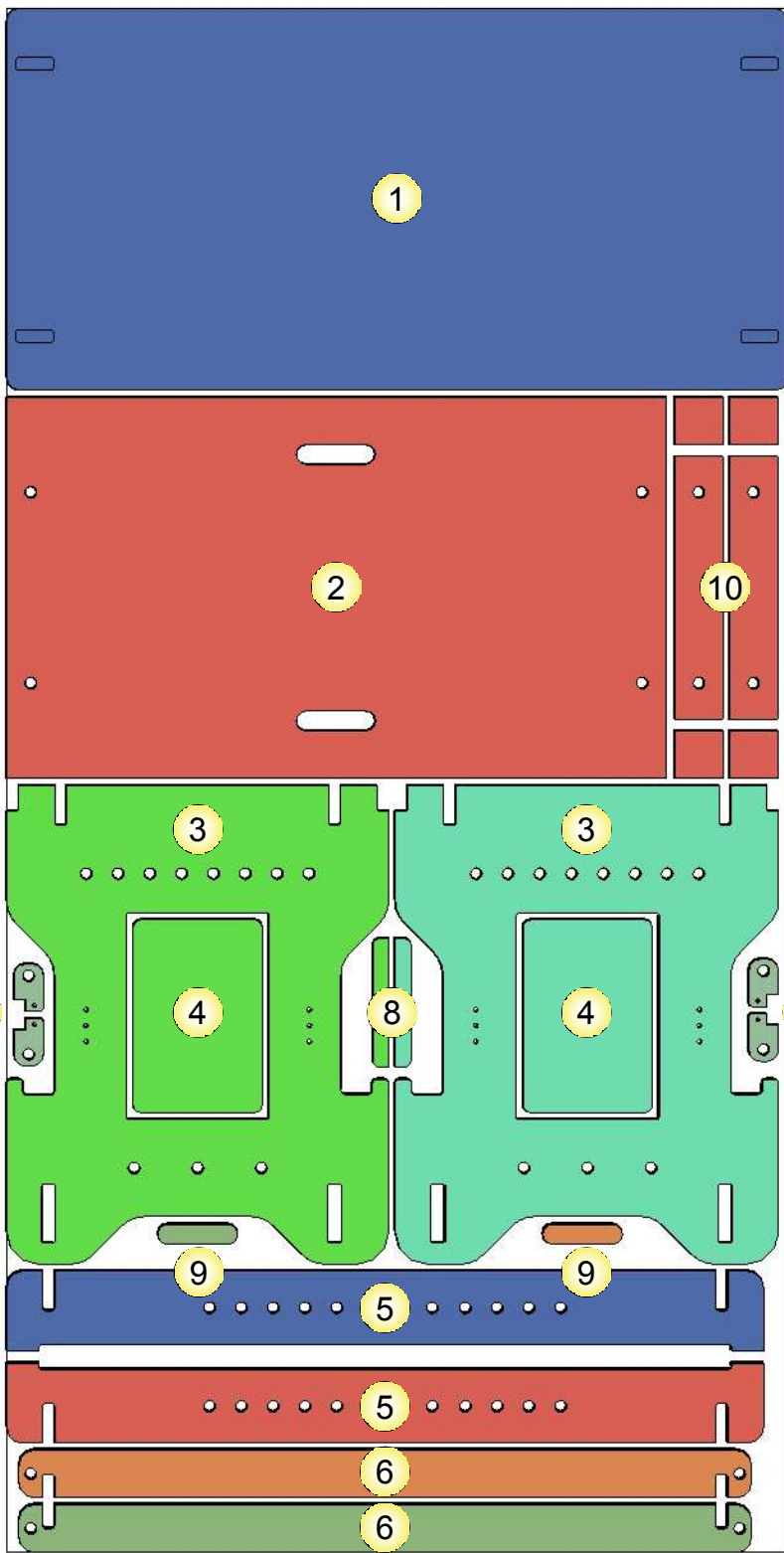
Optional casters under the shelf can be lowered or raised by inserting the 4 wedges above or below the shelf.

Customizing Suggestions

All of these suggestions are simply optional ideas to make your portable work bench more appealing, functional and unique to your needs. Write to us at sales@ekho.com to let us know of any clever customizing features you have added and would like to share with our other customers.

1. Add optional casters to the bottom shelf to add bench mobility and a great little moving dolly.
2. Install 2 folding shelves with supplied parts to both legs. Add your own braces and hinges.
3. Add an optional decorative, reinforcing skirt to the table top with nominal 1"x2" customer supplied lumber glued to the perimeter. This increases stiffness and adds aesthetic appeal.
4. Add a convenient pull rope(s) to the dolly through the 2 pre-drilled holes at either or both ends.
5. Glue the supplied hand hole fillers/positioners to the cross members for the lower shelf.
6. Add a customer supplied 1/4" dowel pin to the 4 wedge parts' inside hole to secure it in place.
7. Add a 3" x 3/4" reinforcing skirt to the underside perimeter of the dolly or bottom shelf. Please don't forget to leave 3/4" wide slots for the location of the 2 bottom cross member supports. We have supplied 6 parts for both shelf ends. You supply the 2 side pieces (3" x 35-3/8").
8. Cut and paint an optional 18" x 41.5" **customer supplied** middle shelf . You can support it with customer supplied shelf pins in the provided shelf pin holes in the middle of the 2 legs.
9. **Thoroughly paint or seal all of the parts** from water, liquids, etc. before using. The MDF material used to manufacture this bench is very porous to water, rain or liquids if not sealed.



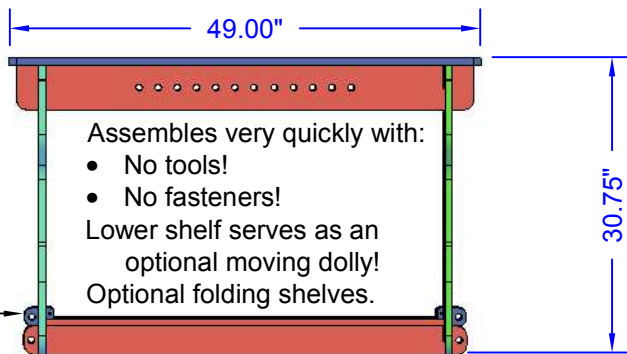
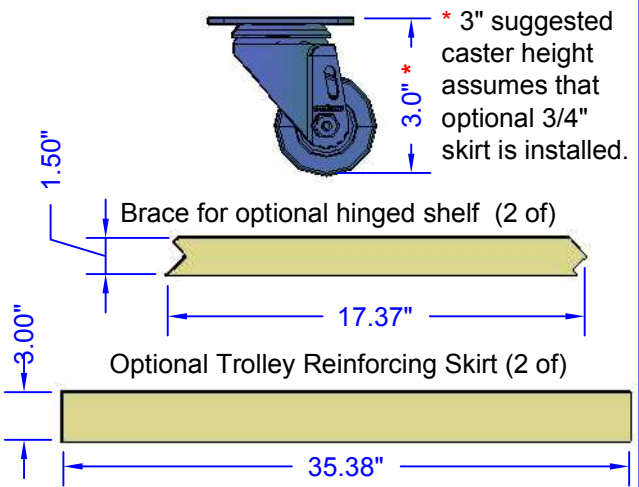


Packing List

- Materials shown to the left are included in the box.
- Casters are **NOT** part of the shipment. Customer supplied option.

- | | | |
|-----|-------------------------|-------|
| 1. | Bench Top | (1) |
| 2. | Bottom Shelf/Dolly | (1) |
| 3. | Leg | (2) |
| 4. | Folding Shelf | (2) |
| 5. | Top Support | (2) |
| 6. | Shelf Support | (2) |
| 7. | Locking Wedge | (4) |
| 8. | Folding shelf front Lip | (2) |
| 9. | Shelf Hand Hole Filler | (2) |
| 10. | Bottom Shelf End Skirts | (2x3) |

Optional Customer Supplied Parts



Assembles very quickly with:

- No tools!
- No fasteners!

Lower shelf serves as an optional moving dolly!
Optional folding shelves.



DWG TITLE				Packing List			
CLIENT: EKHO JlgSaw Puzzle Furniture 0							
DWN BY: EKH		DATE: 2009/06/18		REV.# 0		DATE: 2009/06/18	
CHKD BY: EKH		DATE: 2009/06/18		REVISED BY: EKH			
Copyright 2009 by Elton K. Hammond P.Eng.				DWG NO:			
No copies without written permission from The EKHO Institute				WORK_BENCH			
SCALE: As marked		SHEET 20 OF 10		DISK: FIREWIRE DRIVE			
DESIGNER: Elton K. Hammond		PROJECT: EKHO20090618					